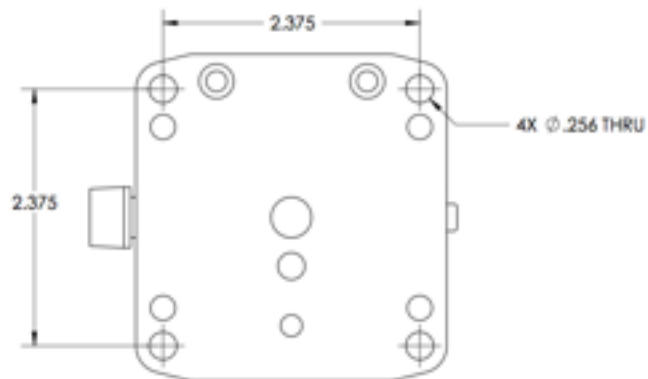
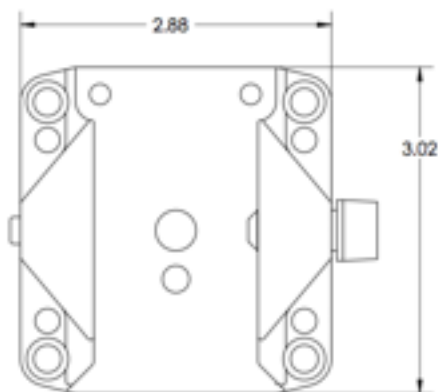
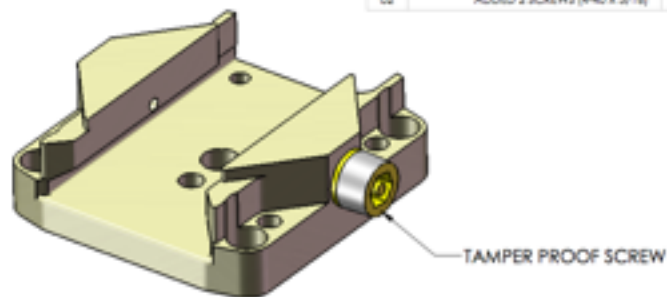
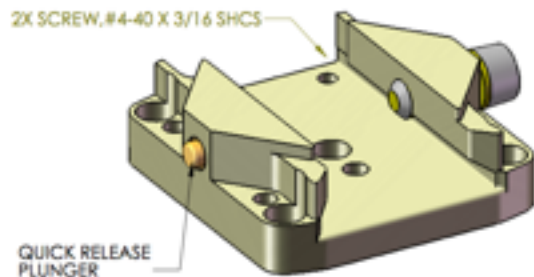


REV.	DESCRIPTION	ECO	DATE	APPROVED
01	INITIAL RELEASE		12/05/08	AL
02	ADDED 2 SCREWS (4-40 X 3/16)	133	07/16/09	AL



UNLESS OTHERWISE SPECIFIED:

DIMENSIONS ARE IN INCHES
 TOLERANCES:
 FRACTIONAL ±
 ANGULAR MACH ± 1° BEND ± 1°
 ONE PLACE DECIMAL ± .03
 TWO PLACE DECIMAL ± .010
 THREE PLACE DECIMAL ± .005

MATERIAL:

FINISH:

DO NOT SCALE DRAWING

DATE	NAME
12/05/08	AK
12/05/08	AL

COMMENTS:

PROJ:

RVision

2365A Paragon Drive San Jose, 95131

TITLE:
Assy, Shoe, Big Foot Cameras

SIZE DWG. NO. REV
B 800105 02

SCALE: 1:1 SHEET 1 OF 1