

SEE HP™

Pan Tilt Assembly | Single Sensor | Color or Thermal

RVision

2016 Data Sheet

Product Overview

The RVision SEE HP™ pan tilt assembly is the original member of the RVision family of rugged and compact cameras. Manufactured from Aluminum and engineered to exacting standards, it is ideally suited for deployment in harsh environmental conditions. Motors driving the pan/tilt functions provide near-silent performance with improved repeatability for presets and go-to targets. The integrated slip ring allows for continuous 360° pan rotation.

The SEE HP™ is available with the RVision BigFoot™ Mil-Spec connection or with the RVision QuickConnect™ cable assembly mount, both rugged for quick installations in tactical or mobile solutions. The BigFoot™ and QuickConnect™ systems are both compatible with many other mounts, cables and accessories available for integration in the RVision camera family.

The SEE HP™ employs SD color video and can be fitted with a thermal imager as well. Thermal options are available with either an uncooled 320x240 or 640 x 480 Vanadium Oxide Sensor and 3 standard lens options (35mm, 50mm, 60mm).

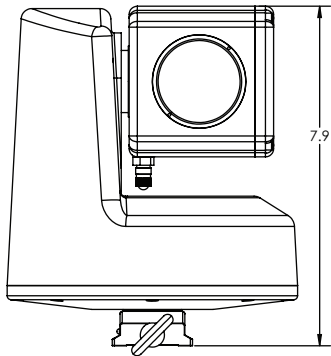


Pan Range	Continuous
Tilt Range	240°
Pan Speed	0.1°/s Min. to 120°/s Max
Tilt Speed	0.1°/s Min. to 120°/s Max.
Control Interface/Protocol	RS232, RS422/485 - RVision, Pelco-D, Pelco D Enhanced
Color Sensor	550TVL, 380K Pixels
Color Sensor Zoom	36X Optical, 12X Digital, 57.8°-1.7° HFOV
Color Sensitivity	0.1 lx Color, 0.01 lx NIR (1/4s)
Thermal Sensor Primary Option	640x480, 17 micron, Vanadium Oxide, 50mm
Power Draw, w/heaters, without	Power-on Peak 84 W 36 W Staring – no motion 60 W 12 W All Motor Moving 84 W 36 W
Presets	100
Weight	10.5 lbs. with BigFoot™
Housing Material	Aluminum
Voltage	12-30 VDC
Operating Temperature	-40°C to +70°C, with heaters
Storage Temperature	-40°C to +75°C
Mounting	BigFoot™ or QuickConnect™

For further information please contact:

3033 Fifth Ave, Suite 400
San Diego, CA 92103
T. 619.233.1403
F. 619.233.1423

QuickConnect™



Bigfoot™

