



# SEE™

## PRODUCT OVERVIEW

RVision's SEE™ pan/tilt/zoom camera continues the legacy of their environmentally hardened and compact cameras and pan/tilts. Using a saddle mount configuration the SEE™ pan/tilt/zoom camera achieves pan speeds of 80° per second and tilt speeds of 38° per second. Even with its environmentally hardened IP67 rated cast aluminum housing, the SEE™ weighs 9.04 lbs (4.1 kg) and can withstand the harshest environments including high-pressure water jet cleaning when positioned on bridges and in tunnels. The camera comes equipped with a 26x optical zoom, image stabilization and both color/NIR (near infrared) operating modes. The innovative and patent pending QuickConnect™ feature allows the use of the RVision CCTV, IR or Near IR Camera Systems to be hot-swapped and interchangeable from a fixed location to a mobile unit; giving the end-user the ability to meet all of the operational requirements for day/night security operations.

Current uses include perimeter security, police and other early response command vehicles, bridges, ports, IED removal, flight line operations, tunnels and rail yards. The SEE™ high quality image mirrors RVision's many highly successful products. Using the slow scan feature and NIR imaging mode enables near-zero ambient light operation. When adding the optional NIR illuminator it creates a zero ambient night vision solution at distances up to 500 feet.

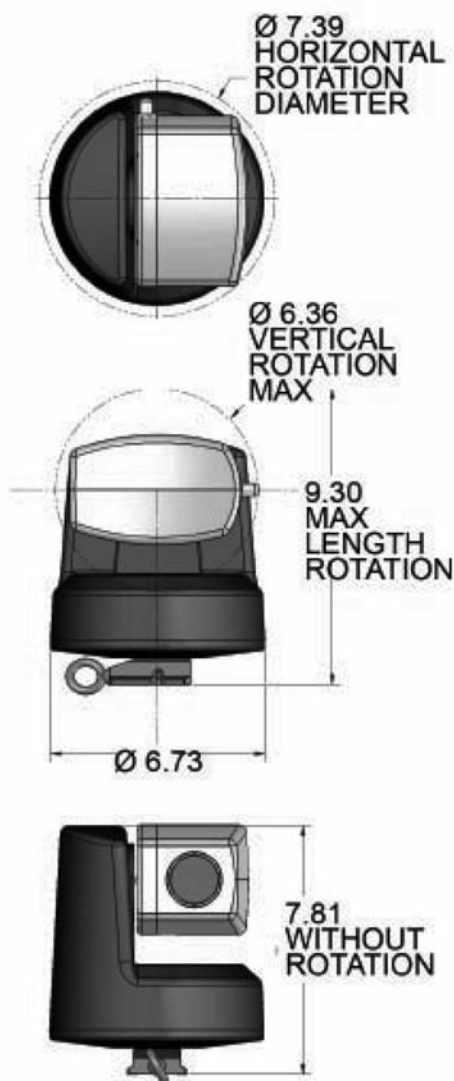
The SEE™ camera can be configured as an analog or an IP camera and can be used with existing legacy CCTV systems as well as third party encoders, DVRs, video servers and other security management tools.

## KEY FEATURES

- **COLOR/NIR/FIXED FOV 26X OPTICAL /12X DIGITAL ZOOM**
- **AUTO-FOCUS**
- **IMAGE STABILIZATION**
- **HOT SWAPPABLE**
- **QUICKCONNECT™ ELECTRICAL & MECHANICAL MOUNTING SYSTEM**
- **LOW POWER FOR SOLAR APPLICATIONS**
- **PRESSURIZED NITROGEN FILLED OPTICS HOUSING**
- **OPTIONS:**
  - **IP ADDRESSABLE**
  - **HOOD, BIRD SPIKES AND WIPER BLADE**
  - **MICROPHONE**
  - **BIGFOOT CONNECTION**

*RVision, Inc.*  
IMAGING SYSTEMS FOR SIGHT

619.233.1403 : [www.rvisionusa.com](http://www.rvisionusa.com)



## TECHNICAL SPECIFICATIONS

- PAN ANGLE RANGE .....440°
- TILT ANGLE RANGE .....240°
- MAX PAN SPEED .....135°/s
- MAX TILT SPEED .....50°/s
- PAN/TILT ENCODER RESOLUTION .....0.5°
- WEIGHT .....9.04 lbs (4.1kg)
- HOUSING MATERIAL .....Cast Aluminum
- SIZE .....6.73"W x 7.81"H, 18cm diameter, 20cm tall
- POWER .....12 to 30vdc, 500 ma, 2A peak
- VIBRATION .....3grms 3axis, Random, 5 to1000Hz
- TEMPERATURE .....-20° to 70° C
- MOUNTING .....QuickConnect™
- OPTICAL ZOOM .....26 x
- DIGITAL ZOOM .....12 x
- IMAGING MODES .....Color/Near Infrared
- TV LINES (NTSC/PAL) .....470/460
- PEL COUNT (NTSC/PAL) .....630,000/740,000
- DYNAMIC RANGE .....50dB
- LIGHT SENSITIVITY .....0.05 Lux NIR Mode
- LOW LIGHT – LONG INTEGRATION .....yes / .25 s
- AUTOFOCUS .....yes
- IMAGE STABILIZATION .....yes
- RICH EXPOSURE CONTROL .....yes
- COMMAND/CONTROL
  - TRANSPORT .....RS232 OR RS422
  - PROTOCOL .....Enhanced VISCA™ or Pelco-D
- DETECTOR SENSOR INPUTS .....2, NO or NC
- OPT. INFRARED CAMERA CORE .....7-14  $\mu\text{m}$ , .05° C NETD  
320 x 240
- OPT. ILLUMINATOR .....720nm, 35W, 50W, 100W