



MINI m3g™

PRODUCT OVERVIEW

RVision's Mini m3g™ pan/tilt/zoom camera is the third generation of RVision's highly successful pan/tilt/zoom camera. At only 4.6 lbs (2.1 kg) it is the lightest high quality color/NIR (near infrared) PTZ camera with 26x optical zoom and internal stabilization on the market. The environmentally hardened IP67 rated aluminum housing allows this small versatile camera to withstand high-pressure water jet cleaning when positioned on bridges and in tunnels. Its internal vibration isolation feature provides jitter-free video, making the camera ideal for both fixed and mobile applications. Its small size makes it virtually unnoticeable thus enhancing your overall security and surveillance needs. The innovative and patent pending QuickConnect™ feature allows the Mini m3g™ to be hot-swapped and interchangeable from a fixed location to a mobile unit; giving the end-user the ability to meet all of the requirements for day/night security operations.

Current uses include perimeter security, police and other early response command vehicles, bridges, ports, IED removal, flight line operations, tunnels and rail yards. The Mini m3g's™ high quality image mirrors RVision's many highly successful products. Using the slow scan feature and NIR imaging mode enables near-zero ambient light operation. When adding the optional NIR illuminator it creates a zero ambient night vision solution at distances beyond 500 feet.

As in most RVision products, the Mini m3g™ can be used with existing legacy CCTV systems as well as third party encoders, DVR's, video servers and other security management tools.

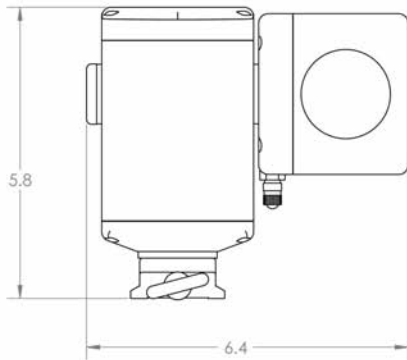
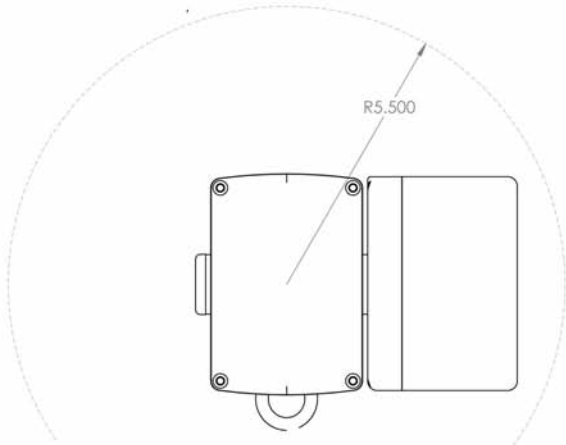
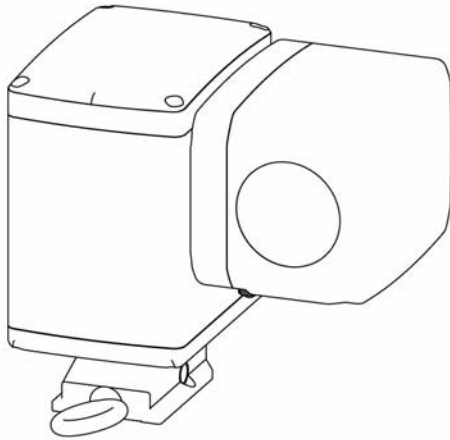
KEY FEATURES

- **AUTO-FOCUS**
- **IMAGE STABILIZATION**
- **COLOR/NIR/FIXED FOV 26X OPTICAL / 12X DIGITAL ZOOM**
- **HOT SWAPPABLE**
- **QUICKCONNECT™**
- **LOW POWER FOR SOLAR POWER APPLICATIONS**
- **PRESSURIZED NITROGEN BACK-FILLED**
- **OPTIONS:**
 - **IP ADDRESSABLE**
 - **HOOD AND BIRD SPIKES**
 - **BIGFOOT CONNECTION**

RVision, Inc.
IMAGING SYSTEMS FOR SIGHT

619.233.1403 : www.rvisionusa.com

MINI m3g™



TECHNICAL SPECIFICATIONS

- PAN ANGLE RANGE540°
- TILT ANGLE RANGE190°
- MAX PAN SPEED170°/s
- MAX TILT SPEED73°/s
- PAN/TILT ENCODER RESOLUTION0.5°
- WEIGHT4.6 lbs (2.2 kg)
- HOUSING MATERIAL.....6061T6 Aluminum
- POWER12 to 30 vdc, 500 ma, 2A peak
- VIBRATION.....3 grms 3 axis, Random 5 to 1000 Hz
- TEMPERATURE-20° to +70° C
- MOUNTINGQuickConnect™
- OPTICAL ZOOM26 x
- DIGITAL ZOOM12 x
- IMAGING MODESColor/Near Infrared
- TV LINES (NTSC/PAL)470/460
- PEL COUNT (NTSC/PAL).....630,000/740,000
- DYNAMIC RANGE50 dB
- LIGHT SENSITIVITY0.05 Lux NIR Mode
- LOW LIGHT-LONG INTEGRATIONyes / .25 sec
- AUTO FOCUSyes
- IMAGE STABILIZATIONyes
- RICH EXPOSURE COLOR.....yes
- DETECTOR SENSOR INPUTS2, NO or NC
- OPT. ILLUMINATOR720nm, 35W, 50W, 100W