

CARBIDE-50™



PRODUCT OVERVIEW

PAN TILT NUMERIC POSITIONER SINGLE OR DUAL MEDIUM PAYLOAD

The Carbide-50™ Numeric Positioner is a high-resolution pan and tilt for driving medium to long-range optics. The Carbide-50™'s repeatability is essential to successful maritime and land based operations. In addition to the side saddle mount, it is designed with a unique pan through axle that allows the user to configure this highly accurate positioner with additional equipment such as a wireless transmitter or radar tracking sensor system. The Carbide-50™ is designed to carry 25 lbs on either side, enabling the use of multiple surveillance sensors.

The Carbide-50™ image above depicts a long-range thermal imager with a visible day/night color camera, allowing 24 hour maximum detection and resolution. Specially designed brackets can be engineered for the Carbide-50™ for a unique design suited to your requirements. When coupled with an IP encoder (see RVision's line of PUMP's™) the information is easily transported from the camera platform to the C2, Command and Control Center. The Carbide-50™ allows for waterfront deployment and water cannon cleaning.

We have eliminated the cable harness often seen hanging from the camera to the pan and tilt. We accomplished this by way of cable management through the axis arms within the internal design of the system. Considering today's current threats this overall design offers a true optical solution for medium to long-range surveillance operations.

KEY FEATURES

- 50 LB PAYLOAD
- MARINE-RATED
- PAN AND TILT AXLES MADE FROM TYPE 7075-T6 ALUMINUM ALLOY
- ALL STAINLESS STEEL FASTENERS
- HEAVY DUTY STEPPER MOTORS
- ENCODERS ARE INTEGRATED ELECTRO-OPTIC SENSORS
- LOW POWER CONSUMPTION
- NUMERIC POSITIONING CONTROLS FOR SLEW TO QUEUE OPERATIONS
- RS232 OR RS422 SERIAL COMMUNICATIONS
- OPTIONS:
 - CUSTOM AND VENDOR SPECIFIC PROTOCOLS
 - IP ADDRESSABLE
 - UNLIMITED CONFIGURATIONS AVAILABLE FOR THERMAL IMAGING ADD ONS
 - SUNSHIELD

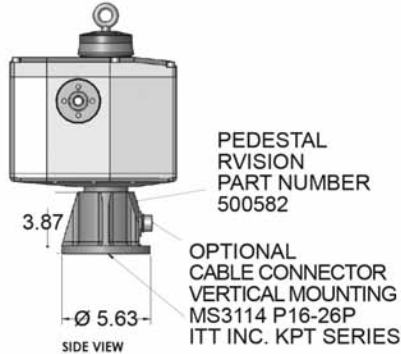
RVision, Inc.
IMAGING SYSTEMS FOR SIGHT

619.233.1403 : www.rvisionusa.com

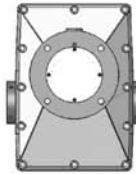
CARBIDE-50™

GENERAL SPECIFICATION

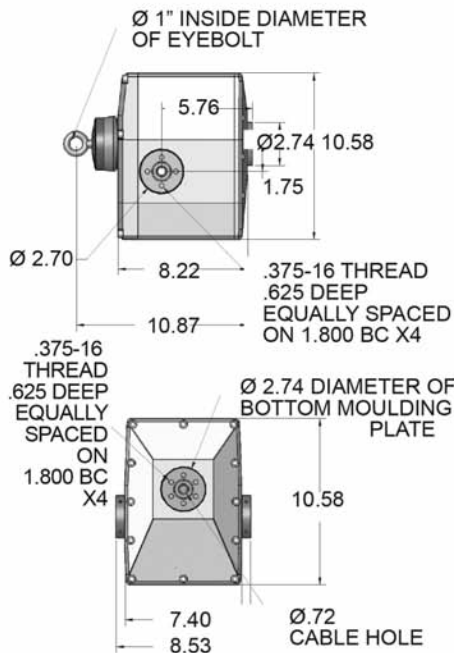
1. WEIGHT 43 POUNDS
2. PAN ANGLE 440°
3. TILT ANGLE ± 95°



SIDE VIEW



BOTTOM VIEW



TECHNICAL SPECIFICATIONS

- PAN ANGLE RANGE0° to 540°
- PAN ANGLE MINIMUM MOVEMENT0.01°
- PAN ANGLE SPEED0.5° to 45°/s
- PAN ANGLE ENCODER FEEDBACK0° to 540°
- PAN TORQUE11.5 newton meters
- TILT ANGLE RANGE0° to 190°
- TILT ANGLE MINIMUM MOVEMENT.....0.01°
- TILT ANGLE SPEED0.55°/s to 25°/s
- TILT ANGLE ENCODER FEEDBACK0° to 190°
- TILT TORQUE10 newton meters
- VIDEO COAX2 Analog video signals, NTSC or PAL
- OPERATIONAL TEMPERATURE RANGE-20°C to +70°C
- STORAGE TEMPERATURE RANGE-50°C to +85°C
- OPERATIONAL HUMIDITY RANGE..0 to 100% non-condensing
- CARBIDE HOUSINGTiger Drylac Powder Coat, 38/60031
- OPERATING VOLTAGE18-30vdc
- OPERATING POWER1 amp, 3.75 peak
- WEIGHT43 lbs